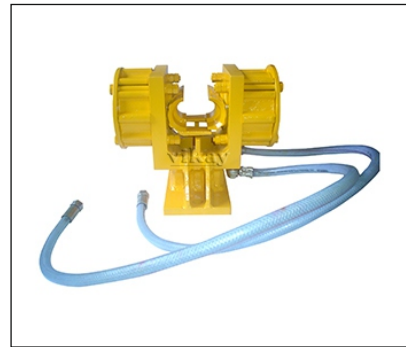
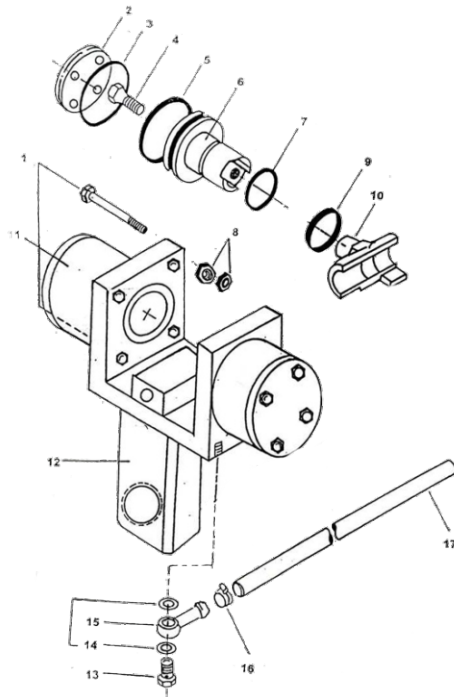


9.a. Drill Steel Support Comp. - Pneumatic Version



No.	Description	Modified		Ref. Part No.	QTY
-	Drill Steel Support (38mm) - Pneumatic Version			VK PDSX38	1
-	Drill Steel Support (32mm) - Pneumatic Version			VK PDSX32	1
1	- Bolt			M9062	8
2	- Cover			M9063	2
3	- O Ring	0663614800	*	M9064	2
4	- Screw			3142026400	2
5	- O Ring			0663214900	2
6	- Piston			M9067	2
7	- O Ring	0663613500	*	M9068	2
8	- Nut			M9069	16
9	- Seal Ring	0665919300	*	M9070	2
10A	- Drill Steel Support Hal, 38 mm (1 1/2") Round			M9071A	2
10B	- Drill Steel Support Hal, 32 mm (1 1/4") Round	3142026200	*	M9071	2
11	- Cylinder			M9072	2
-	Cylinder & Piston Complete Assembly			M9072 & 67	2
12	- Drill Steel Support			M9073	1
13	- Pressure Screw	0627511300	*	M9074	2
14	- Packing	0653107000	*	M9075	4
15	- Banjo Connection	9000029400	*	M9076	2
16	- Hose Clamp	0347610400	*	M9077	2
17	- Air Hose	9030020000	*	M9078	2
-	Bushing For BSP-10			3142026100	
-	Piston For BSP-10			3142026300	
-	Lock Ring For BSP-10			0335217700	
-	Cover For BSP-10			3142026500	

Note : ① Reference Part Number Starting With 'M' - Is Modified

② Item 6 & 11 Supply in Assembly